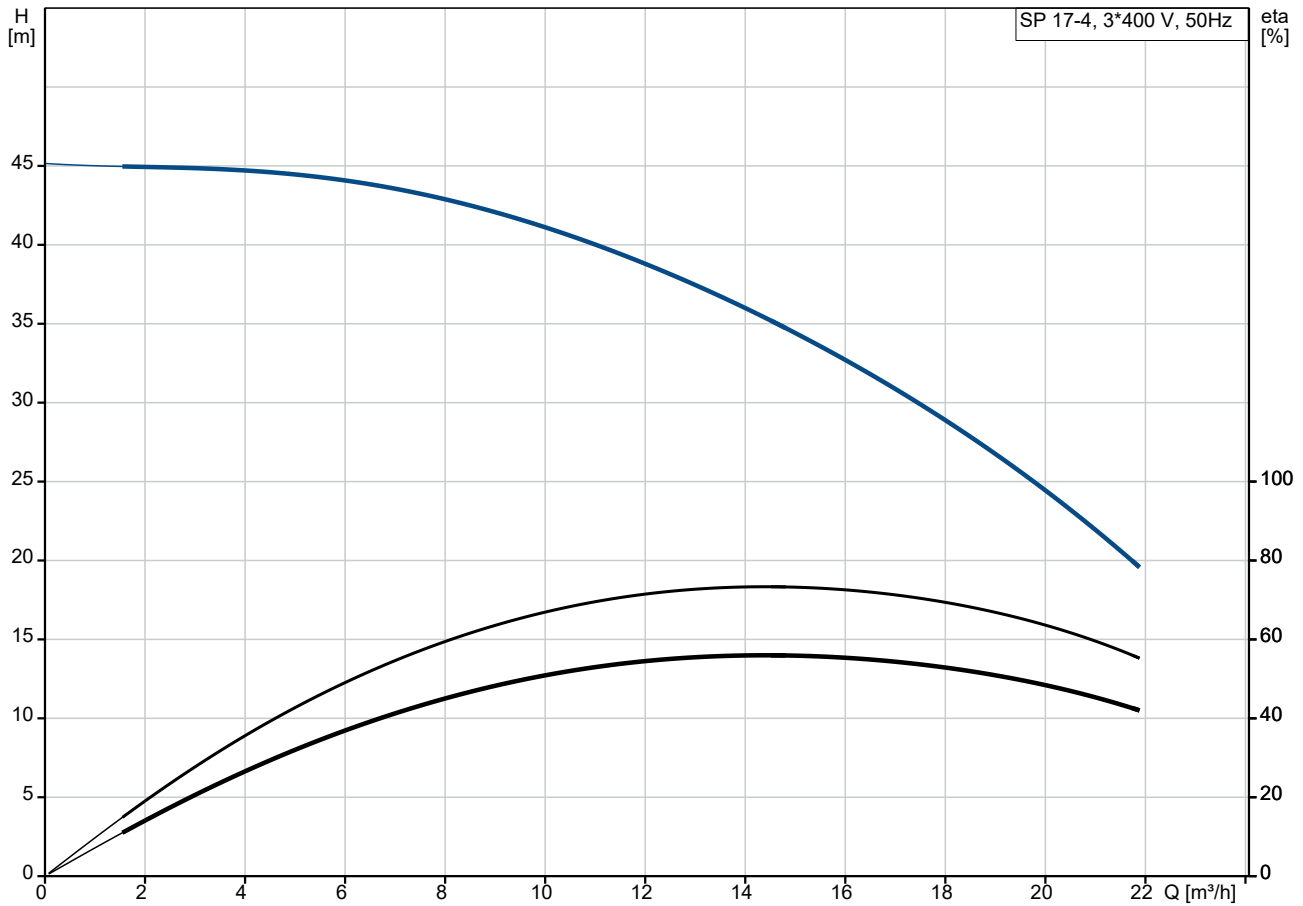
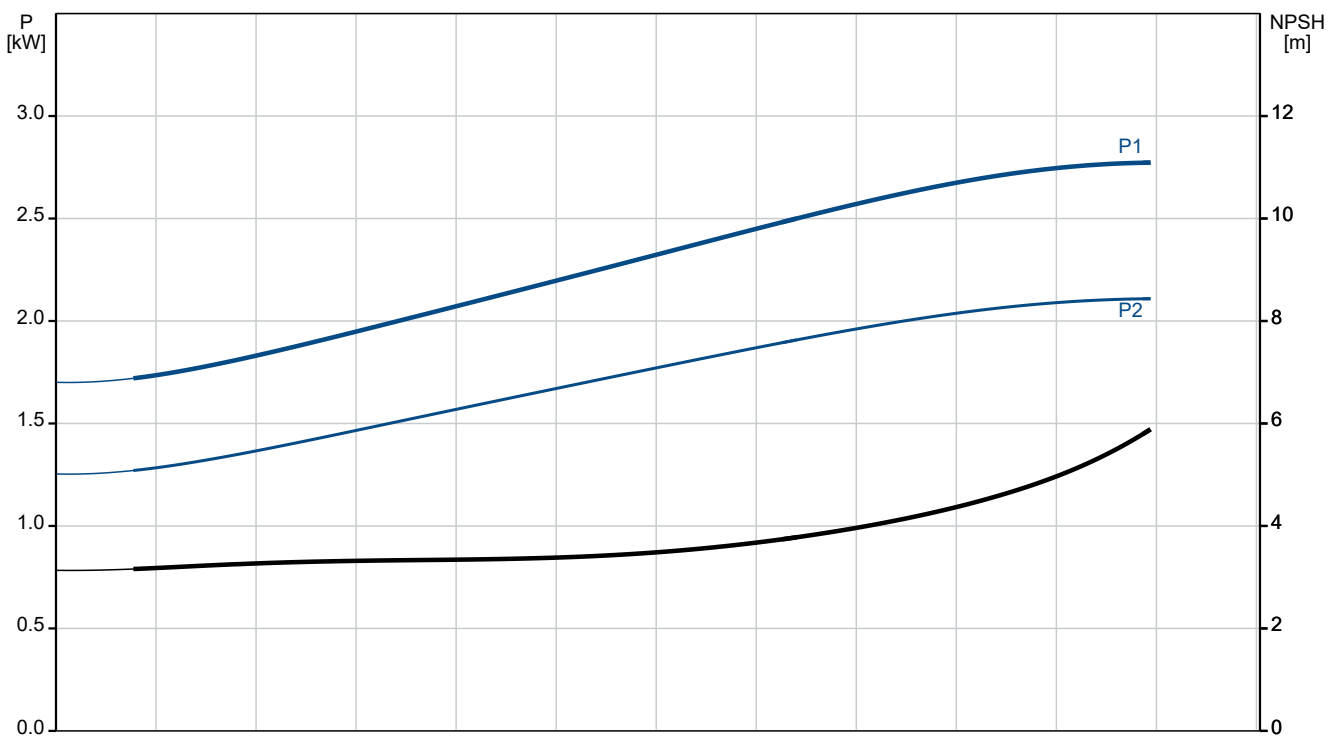


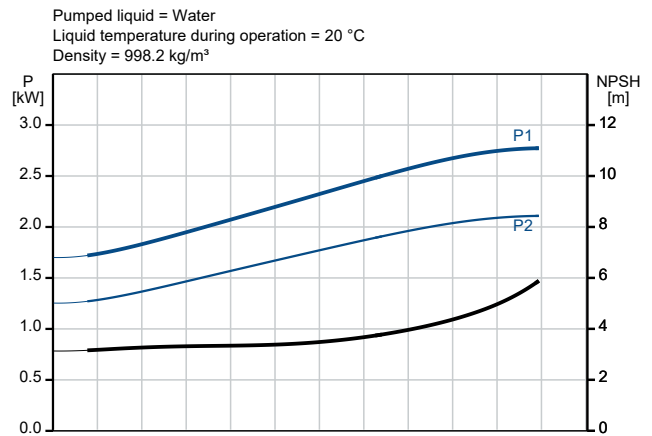
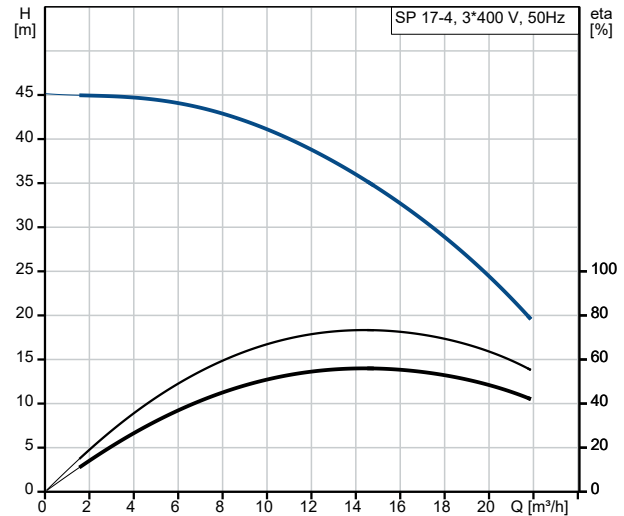
12A01904 SP 17-4 50 Hz



Pumped liquid = Water
 Liquid temperature during operation = 20 °C
 Density = 998.2 kg/m³



Description	Value
General information:	
Product name:	SP 17-4
Product No:	12A01904
EAN number:	5700391130960
Technical:	
Pump speed on which pump data are based:	2900 rpm
Rated flow:	17 m ³ /h
Rated head:	32 m
Stages:	4
Number of reduced-diameter impellers:	NONE
Shaft seal for motor:	LIPSEAL
Approvals:	CE,EAC
Curve tolerance:	ISO9906:2012 3B
Model:	B
Motor version:	T40
Return valve:	YES
Materials:	
Pump:	Stainless steel
Pump:	EN 1.4301
Pump:	AISI 304
Impeller:	Stainless steel
Impeller:	EN 1.4301
Impeller:	AISI 304
Motor:	Stainless steel
Motor:	DIN W.-Nr. 1.4301
Motor:	AISI 304
Installation:	
Maximum operating pressure:	15 bar
Maximum outlet pressure:	4.6 bar
Type of connection:	Rp
Size of connection:	2 1/2 inch
Motor diameter:	4 inch
Minimum borehole diameter:	140 mm
Liquid:	
Pumped liquid:	Water
Liquid temperature range:	-15 .. 40 °C
Max liquid t at 0.15 m/sec:	40 °C
Selected liquid temperature:	20 °C
Density:	998.2 kg/m ³
Electrical data:	
Motor type:	MS402
Motor flange design:	Grundfos
Rated power - P2:	2.2 kW
Power (P2) required by pump:	2.2 kW
Mains frequency:	50 Hz
Rated voltage:	3 x 380-400-415 V
Rated current:	5.50-5.50-5.70 A
Starting current:	440-460-470 %
Cos phi - power factor:	0.85-0.82-0.77
Rated speed:	2850-2860-2870 rpm
Start. method:	direct-on-line
Enclosure class (IEC 34-5):	IP68
Insulation class (IEC 85):	B
Built-in motor protection:	NONE
Thermal protec:	external
Built-in temp. transmitter:	no
Length of cable:	1.7 m





Company name:

Created by:

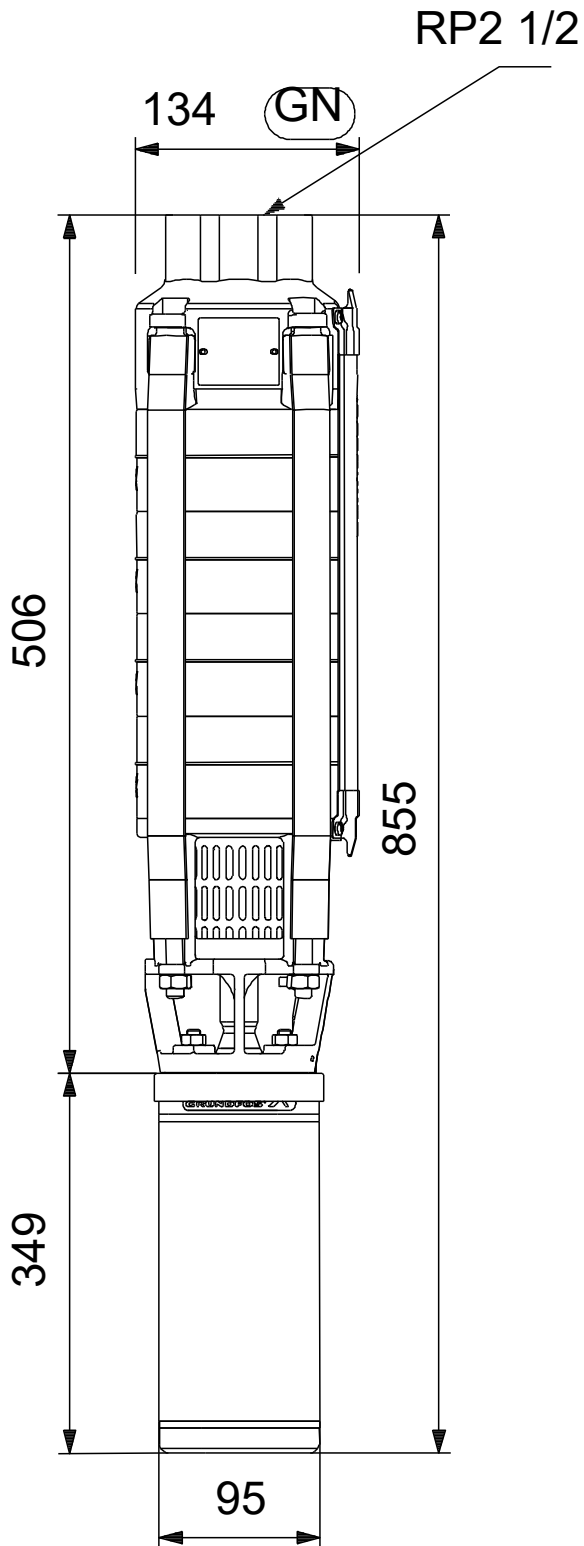
Phone:

Date:

16/05/2023

Description	Value
Power cable type:	FLAT
Motor No:	79192007
Windings:	Enamelled
Others:	
Minimum efficiency index, MEI \geq :	0.70
Net weight:	21.7 kg
Gross weight:	24.3 kg
Shipping volume:	0.032 m ³
Danish VVS No.:	388336040
Finnish LVI No.:	4762717

12A01904 SP 17-4 50 Hz



Note! All units are in [mm] unless others are stated.
Disclaimer: This simplified dimensional drawing does not show all details.